

AV1255/AV2255

1.3 Megapixel or Full HD 1080p H.264 Day/Night IP MegaDome® 2 Camera

AV1255 Series

1.3MP Day/Night Remote Focus, Remote Zoom, Auto-Iris

AV1255AM	MD2 Base Model
AV1255AM-H	MD2 w/ Heater
AV1255AMIR	MD2 w/ IR LEDs
AV1255AMIR-H	MD2 w/ IR LEDs and Heater

AV2255 Series

1080p Day/Night Remote Focus, Remote Zoom, Auto-Iris

AV2255AM	MD2 Base Model
AV2255AM-A	MD2 w/ Audio
AV2255AM-H	MD2 w/ Heater
AV2255AM-AH	MD2 w/Audio and Heater
AV2255AMIR	MD2 w/ IR LEDs
AV2255AMIR-A	MD2 w/ IR LEDs and Audio
AV2255AMIR-H	MD2 w/ IR LEDs and Heater
AV2255AMIR-AH	MD2 w/ IR LEDs, Audio and Heater



Remote Focus, Remote Zoom and Auto-Iris

Casino Mode™ Always Maintains 30fps

The **Fastest** Frame Rates at 1080p and 1.3MP Resolutions on the Market up to **32fps @ 1080p** and **42fps @ 1.3MP**

Arecont Vision Advantages:

- All-in-One H.264 MegaDome® Solution
- Remote Focus, Remote Zoom and Auto Iris Lens
- IP66 and Vandal Resistant Dome, IK10 Rated
- Total PoE Solution
(No External Power Required for Heater and IR LEDs)
- True Day/Night Functionality with Removable IR Cut Filter
- PSIA and ONVIF Compliance
- New User Friendly Web-Page
- Easily Adjustable 3-axis Gimbal
- Dual Encoder H.264/MJPEG
- Privacy Mask, Motion Detection and Flexible Cropping
- Optional Audio, IR LEDs and Heater

Model Numbers:

AV1255AM	1.3MP MD2 Base Model
AV1255AM-H	1.3MP MD2 w/ Heater
AV1255AMIR	1.3MP MD2 w/ IR LEDs
AV1255AMIR-H	1.3MP MD2 w/ IR LEDs, Heater
AV2255AM	1080p MD2 Base Model
AV2255AM-A	1080p MD2 w/ Audio
AV2255AM-H	1080p MD2 w/ Heater
AV2255AM-AH	1080p MD2 w/ Audio, Heater
AV2255AMIR	1080p MD2 w/ IR LEDs
AV2255AMIR-A	1080p MD2 w/ IR LEDs, Audio
AV2255AMIR-H	1080p MD2 w/ IR LEDs, Heater
AV2255AMIR-AH	1080p MD2 w/ IR LEDs, Audio, Heater

Imaging

- 1.3 megapixel effective CMOS image sensor (AV1255)
- 2.07 megapixel CMOS image sensor (AV2255)
- Progressive scan
- 1/2.7" optical format
- 3 µm pixel pitch
- Minimum illumination of:
 - Color (non-binned): 0.1 Lux @ F1.2
 - Day/Night: 0 Lux, IR sensitive
- Dynamic range 69 dB
- Maximum SNR 45 dB

Full Field of View (FOV) Resolution

Model Numbers	Full FOV Resolution	1/4 Resolution
AV1255	1280(H) x 1024(V)	640(H) x 512(V)
AV2255	1920(H) x 1080(V)	960(H) x 540(V)

Lens

- 3-9mm, F1.2, remote focus, zoom and auto-iris lens
- H-FOV = 76° - 24° (AV1255) / 115° - 37° (AV2255)

Cropped (FOV) Resolution

- Flexible cropping - crop to 2 pixels in H.264 and 1 pixel in JPEG
- 1280x1024 1.3MP (AV2255)
- 1280x720 HDTV - 720p
- 640x480 VGA

Data Transmission

- Video frame rate up to:
 - 32fps @ 1920x1080 (AV2255 only)
 - 42fps @ 1280x1024
- Compression type
 - H.264 (MPEG-4, Part 10) / Motion JPEG
 - 21 levels of quality
- TFTP, HTTP, RTP/TCP, RTP/UDP transmission protocols
- 100Base-T Ethernet network interface
- Multi-streaming: 8 non-identical streams

Environmental

- Operating temperature:
 - w/o Heater: -20°C (-4°F) to +50°C (122°F)
 - w/ Heater: -40°C (-40°F) to +50°C (122°F)
- Stable image temperature: 0°C (32°F) to +50°C (122°F)
- Storage temperature: -40°C (-40°F) to 60°C (140°F)
- Humidity 0% to 90% (non condensing)

Compliance Information

- Compliance:
 - Class A FCC, Part 15; EN55022 Class A, EN55024, EN61000-3-2, EN61000-3-3, EN60950-1 RoHS, REACH, IK-10 (EN62262), IP66 (EN60529)
- CE Mark, UL Listed

Programmability

- Remote focus, remote zoom and auto-iris
- Casino Mode™, flexible cropping and low light noise filter control
- Shutter speed: 1ms - 500ms
- Backlight compensation
- Auto multi-matrix white balance
- On-camera motion detection and privacy mask w/ 1024 detection zones
- 50/60Hz selectable flicker control
- Electronic pan, tilt, zoom (PTZ) and image flip - 180 degree rotation
- MoonLight™ mode - extended exposure & proprietary noise cancellation
- Programmable resolution, brightness, saturation, gamma, sharpness, tint
- Bit rate and bandwidth limitation control

Camera Electrical

- General purpose opto-isolated input and output
- Power over Ethernet (PoE): PoE 802.3af for camera, IR LEDs and heater
- Auxiliary power 12-48V DC, 24V AC for camera, IR LEDs and heater
- Power consumption:
 - 10.7 watts Base model / -AH model
 - 12.6 watts IR model / -IR-AH model

Audio Electrical (-A models only)

- Streaming: Two-way
- Compression : G.711 PCM 8 kHz
- Input/output: External microphone input or line input / line output

Heater Electrical (-H models only)

- Power Output: 2.28 W Max
- Switch: On: 4°C (32.9 °F), Off: 6.5 °C (43.7 °F)
- Total PoE Solution: No external power requirement

IR Illuminator (-IR models only)

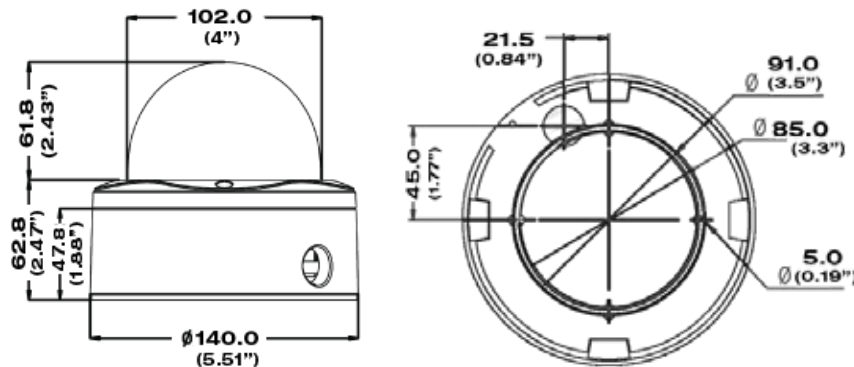
- 24 pcs 850nm LEDs / 15 meter IR distance (max) / 40° IR angle
- No external power required

Industry standard

- PSIA compliance and ONVIF compliance

Mechanical

- Casing
 - Die-casting aluminum chassis with 4" polycarbonate dome bubble
 - IP66 weather proof standard
 - Vandal Resistant, IK10 Rated
- Easily adjustable 3-axis camera gimbal w/ 360° pan, 90° tilt & 360° z-axis
- Total Unit dimensions:
 - Ø5.5 x 4.9 in (H), bubble only: Ø4.0 x 2.4 in (H)
 - Ø140.3 x 124.6 mm (H), bubble only: Ø102 x 61.8 mm (H)
- 2.25 lbs (1.02kg)



Accessories:

- MD-WMT2: Wall mount w/ 1.5" NPT
- MD-CAP: Wall mount cap only w/ 1.5" NPT
- MD-CMT: Pendant mount
- MD-CRMA: Corner mount adapter
- MD-PMA: Pole mount adapter
- MD2-HK: Optional 2W heater kit
- SV-EBA: Electrical box adapter
- SV-JBA: Junction box adapter (for on-site installation)