

AV3100

Arecont Vision
megapixel technology...
beyond imagination

3 Megapixel JPEG IP MegaVideo® camera

AV3100M (Color)

AV3100DN (Day/Night)

AV3100-AI (Color Auto-Iris)



MegaVideo® Series

AV3100 Series network camera delivers full motion progressive scan 2048 x 1536 video at 15 fps featuring massively-parallel MegaVideo® image processing architecture capable of sustaining over 6 billion operations per second.

Arecont Vision Advantages:

Superior Low Light Performance

- 1/2" CMOS Sensor

Unparalleled High Definition Resolution - 2048x1536

- Ten times the resolution of IP VGA or analog cameras

Fastest MegaPixel Image Rates

- Up to 15fps in 3 megapixel mode

Forensic Zooming

- Zoom live or after-event while recording full field of view in HD ... replace PTZ devices

Reduced Overall System Cost

- Less cameras to install, less wiring, no external power (POE), less NVR licensing fees

Cost Efficiency

- Comparable cost to IP VGA & analog cameras

Full or 1/4 Resolution

- Can be selected for either live viewing or archiving purposes

Other key features:

- Simultaneous full field of view and Region-of-Interest (ROI)
- Image cropping allows streaming of full density partial images
- On-camera motion detection
- Mechanical IR Cut Filter (DN Version) and more

H.264 versions are also available

Learn more about our products at www.arecontvision.com

www.arecontvision.com

avsales@arecontvision.com

818.937.0700

877.CAMERA.8

Model Numbers:

AV3100M - Color

AV3100-AI - Color Auto-Iris

AV3100DN - Day/Night

Imaging

- 3 megapixel CMOS image sensor
- 2048(H) x 1536(V) pixel array
- 1/2" optical format
- 3.2 µm pixel pitch
- Bayer mosaic RGB filter
- Minimum illumination of:
 - Color: 0.2 Lux @ F1.4
 - Day/Night: 0 Lux, IR sensitive
- Dynamic range 61 dB
- Maximum SNR 49 dB

Full Field of View (FOV) Resolutions

- 2048(H)x1536(V) 3 megapixel
- 1024(H)x 768(V) 1/4 resolution

Cropped Field of View Resolutions

- 1920x1200 WUXGA
- 1920x1080 HDTV-1080p
- 1600x1200 2 MP
- 1280x1024 1.3 MP
- 1280x720 HDTV-720p
- 1024x768 XGA
- 800x600 SVGA
- 704x570 PAL
- 704x480 NTSC
- 640x480 VGA
- 352x288 CIF
- 320x240 SIF

Data Transmission

- Video frame rate up to:
 - 15fps @ 2048x1536
 - 20fps @ 1920x1200
 - 22fps @ 1920x1080
 - 24fps @ 1600x1200
 - 32fps @ 1280x1024
- Motion JPEG with 21 levels of quality
- TFTP and HTTP image transmission protocols
- 100Base-T Ethernet Network Interface
- Data rate up to 55Mbps
- Multi-streaming: 8 non-identical streams

Programmability

- Auto Exposure (AE) and Gain Control (AGC) >120dB
- On-camera motion detection with 64 detection zones
- Auto backlight compensation
- Auto multi-matrix white balance
- 50/60Hz selectable flicker control
- Electronic pan, tilt, zoom (PTZ)
- Electronic image rotation - 180° flip
- Resolution windowing down to 32x32 pixels
- Programmable shutter to minimize motion blurring for low-light mode
- Moonlight™ mode - extended exposure and proprietary noise cancellation
- Programmable resolution, brightness, saturation, gamma, sharpness, tint
- Picture-in-Picture: simultaneous delivery of full field of view and zoomed images
- Bandwidth & storage savings by running at 1/4 resolution

Electrical

- General purpose opto-coupled input and output
- Power over Ethernet (PoE): PoE 802.3af
- DC input: auxiliary 15V-48V DC
- Power consumption 3 Watts maximum
- Optional DC AI connection (AV3100 - AI)

Regulatory Approvals

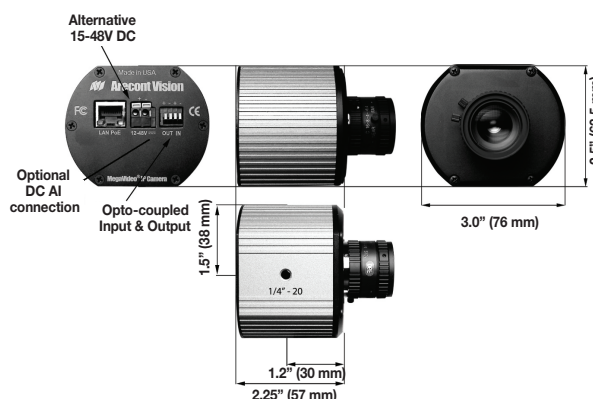
- FCC, CE and RoHS compliant

Environmental

- Operating temperature 0°C (32 °F) to +50°C (122 °F)
- Storage temperature -20°C (-4 °F) to +60°C (140 °F)
- Humidity 0% to 90% (non condensing)

Mechanical

- 3"W (76 mm) x 2.5"H (63.5 mm) x 2.25"D (57mm) (w/o lens)
- 8.6 oz (243 grams) (w/o lens)
- C/CS lens mount



H.264 versions available:

(see H.264 specification sheets for more information)
 AV3105
 AV3105 - AI
 AV3105DN

Housing Accessories:

Dome 4-I - Indoor 4" Vandal Dome
 Dome 4-O - Outdoor 4" Vandal Dome
 Dome 5-I - Indoor 5" Recessed Dome
 HSG1-O-W - Outdoor Environmental Housing w/Heater/Blower

Lenses:

MPL4-10
 MPL8-16
 MPL4.0
 MPL6.0
 MPL8.0
 LENS4-13
 LENS4-10AI

* Other megapixel lenses are also available with Arecont Vision's housing options.