

IP8335H

Network Bullet Camera

720p HD • WDR Pro • IP67 • P-iris



VIVOTEK's IP8335H network bullet camera features an HD WDR CMOS sensor for use in challenging lighting conditions. The resulting WDR Pro feature enables the camera to capture both the dark and bright parts of an image with double shutters, enabling two frames to be combined to generate a highly realistic image representative of the original scene, providing video quality close to the capabilities of a human eye. The P-iris lens controls the iris with extreme precision with its built-in stepper motor, maintaining the opening at an optimal level at all times, resulting in superior image clarity and depth of field as well as image quality. As such, the IP8335H is suitable for high contrast environments such as lobby entrances, parking lots, ATMs, loading areas, and much more.

The day and night functionality and the IP67-rated weatherproof housing of the IP8335H allows users to easily build a cost-effective IP surveillance system without additional accessories. Incorporating an IR-cut filter that can be removed automatically at night and built-in IR illuminators with coverage for up to 20 meters, the IP8335H is an outstanding choice for a 24-hour surveillance solution.

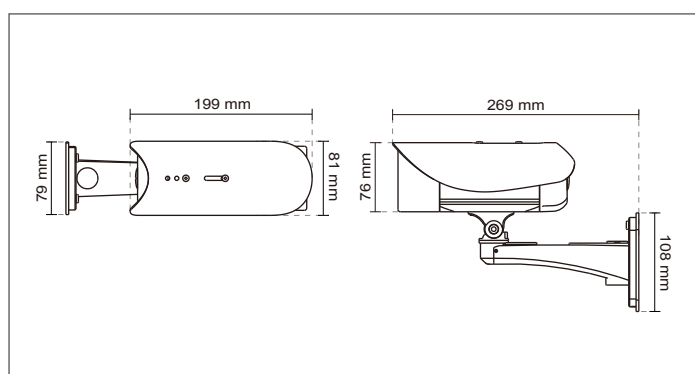
Features

- > 1-Megapixel CMOS Sensor
- > 3 ~ 9 mm Vari-focal, P-iris Lens
- > Removable IR-cut Filter for Day & Night Function
- > Built-in IR Illuminators, Effective up to 20 Meters
- > WDR Pro for Unparalleled Visibility in High Contrast Environments
- > Real-time H.264, MPEG-4, and MJPEG Compression (Triple Codec)
- > Weather-proof IP67-rated Housing
- > Built-in 802.3af Compliant PoE
- > Built-in MicroSD/SDHC Card Slot for On-board Storage
- > Mounting Bracket with Cable Management for Protected Installation

Lens	<ul style="list-style-type: none"> Board lens, vari-focal, f = 3 ~ 9 mm, F1.2 (wide), F2.1 (tele), P-iris Removable IR-cut filter for day & night function
Field of View	<ul style="list-style-type: none"> 85.7°~31.46° (horizontal) 73.16°~25.4° (vertical) 99.82°~39.67° (diagonal)
Shutter Time	<ul style="list-style-type: none"> 1/15 sec. to 1/25,000 sec.
Image Sensor	<ul style="list-style-type: none"> 1/2.7" CMOS sensor in 1280x800 resolution
Minimum Illumination	<ul style="list-style-type: none"> 0.8 lux @ F1.2 (Color) 0.001 lux @ F1.2 (B/W)
IR Illuminators	<ul style="list-style-type: none"> Built-in IR illuminators, effective up to 20 meters IR LED*12
Video	<ul style="list-style-type: none"> Compression: H.264, MJPEG & MPEG-4 Streaming: Simultaneous dual streams H.264 streaming over UDP, TCP, HTTP or HTTPS MPEG-4 streaming over UDP, TCP, HTTP or HTTPS H.264/MPEG-4 multicast streaming MJPEG streaming over HTTP or HTTPS Supports activity adaptive streaming for dynamic frame rate control Supports ePTZ for data efficiency Supports 3GPP mobile surveillance Frame rates: <ul style="list-style-type: none"> H.264: <ul style="list-style-type: none"> Up to 30 fps at 1280x800 Up to 30 fps at 1280x720 MPEG-4: <ul style="list-style-type: none"> Up to 25 fps at 1280x800 MJPEG: <ul style="list-style-type: none"> Up to 30 fps at 1280x800
Image Settings	<ul style="list-style-type: none"> Adjustable image size, quality and bit rate Time stamp and text caption overlay Flip & mirror Configurable brightness, contrast, saturation, sharpness, white balance and exposure AGC, AWB, AES WDR Pro Focus assist (Networking) Automatic, manual or scheduled day/night mode Supports privacy masks
Audio	<ul style="list-style-type: none"> Compression: <ul style="list-style-type: none"> GSM-AMR speech encoding, bit rate: 4.75 kbps to 12.2 kbps MPEG-4 AAC audio encoding, bit rate: 16 kbps to 128 kbps G.711 audio encoding, bit rate: 64 kbps, μ-Law or A-Law mode selectable Interface: <ul style="list-style-type: none"> External microphone input Audio output Supports two-way audio Supports audio mute
Networking	<ul style="list-style-type: none"> 10/100 Mbps Ethernet, RJ-45 ONVIF support Protocols: IPv4, IPv6, TCP/IP, HTTP, HTTPS, UPnP, RTSP/RTP/RTCP, IGMP, SMTP, FTP, DHCP, NTP, DNS, DDNS, PPPoE, CoS, QoS, SNMP, and 802.1X
Alarm and Event Management	<ul style="list-style-type: none"> Triple-window video motion detection Tamper detection 3 D/I and 1 D/O for external sensor and alarm Event notification using HTTP, SMTP or FTP Local recording of MP4 file

On-board Storage	<ul style="list-style-type: none"> MicroSD/SDHC card slot Stores snapshots and video clips
Security	<ul style="list-style-type: none"> Muilti-level user access with password protection IP address filtering HTTPS encrypted data transmission 802.1X port-based authentication for network protection
Users	<ul style="list-style-type: none"> Live viewing for up to 10 clients
Weight	<ul style="list-style-type: none"> Net: 996 g
LED Indicator	<ul style="list-style-type: none"> System power and status indicator System activity and network link indicator
Power	<ul style="list-style-type: none"> Power consumption: <ul style="list-style-type: none"> 12V DC - Max. 6.6 W 24V AC - Max. 8.6 W 802.3af compliant Power-over-Ethernet (Class 3)
Housing	<ul style="list-style-type: none"> Weather-proof IP67-rated housing
Approvals	<ul style="list-style-type: none"> CE, LVD, FCC, VCCI, C-Tick
Operating Environments	<ul style="list-style-type: none"> Temperature: -20C° ~ 50C° (-4°F ~ 122°F) Humidity: 90% RH
Viewing System Requirements	<ul style="list-style-type: none"> OS: Microsoft Windows 7/Vista/XP/2000 Browser: Mozilla Firefox, Internet Explorer 7.x or above Cell phone: 3GPP player Real Player: 10.5 or above Quick Time: 6.5 or above
Installation, Management, and Maintenance	<ul style="list-style-type: none"> Mounting bracket with cable concealment RS-485 interface for scanners, pan/tilts Installation Wizard 2 32-CH ST7501 recording software Supports firmware upgrade
Applications	<ul style="list-style-type: none"> SDK available for application development and system integration
Warranty	<ul style="list-style-type: none"> 24 months
Dimensions	<ul style="list-style-type: none"> Camera: \varnothing 70 mm x 186 mm Cable length: 520 mm Cable diameter: \varnothing 7.2 mm; Max width: \varnothing 14 mm

Dimensions



All specifications are subject to change without notice. Copyright © 2012 VIVOTEK INC. All rights reserved. P/N: 971005400

Distributed by:


VIVOTEK INC.

 6F, No.192, Lien-Cheng Rd., Chung-Ho, New Taipei City, 235, Taiwan, R.O.C.
 |T: +886-2-82455282 | F: +886-2-82455532 | E: sales@vivotek.com

VIVOTEK USA, INC.

 2050 Ringwood Avenue, San Jose, CA 95131
 |T: 408-773-8686 | F: 408-773-8298 | E: salesusa@vivotek.com